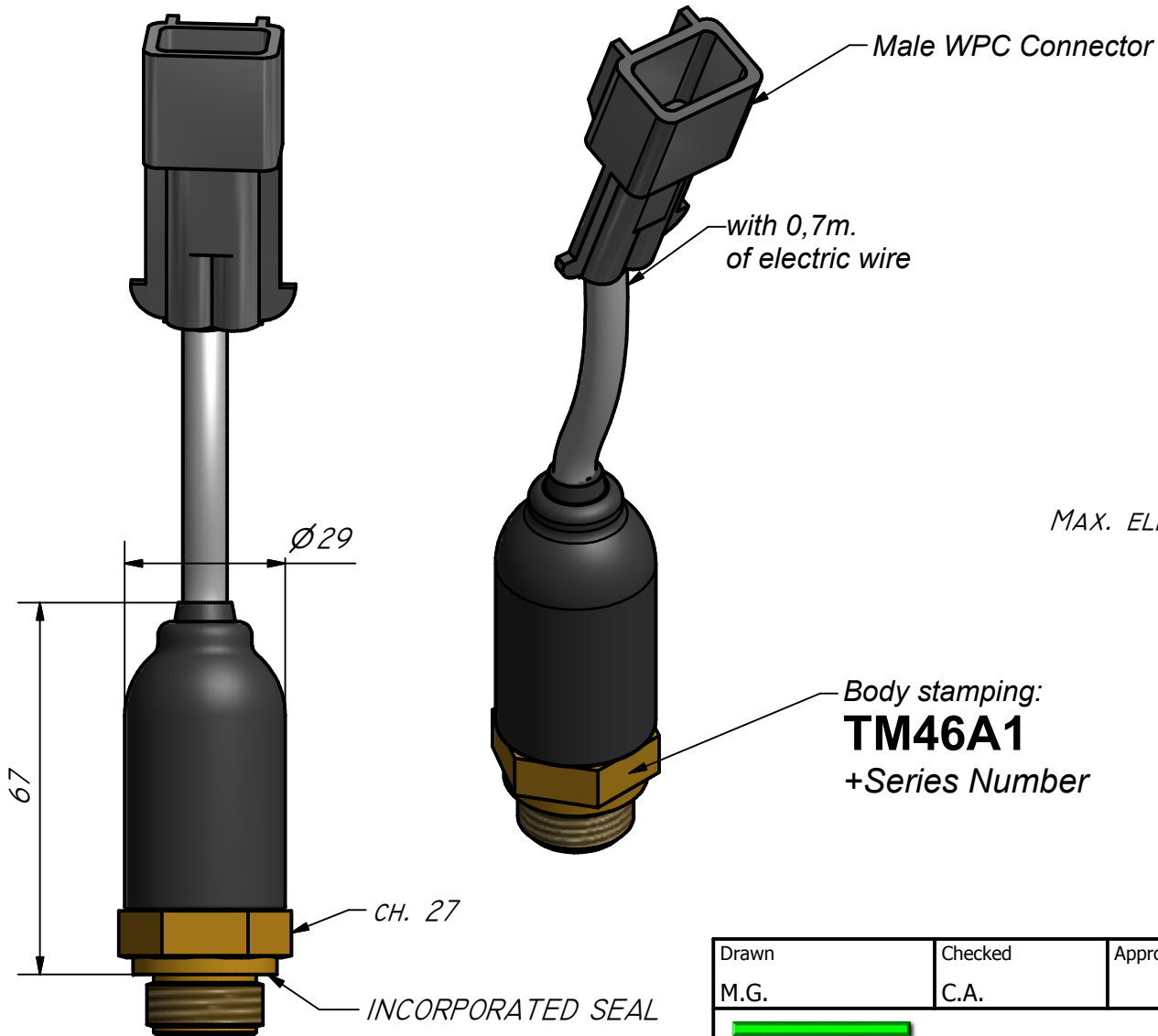


# THERMOSTAT TM46A1/WPC



## TECHNICAL FEATURES


BODY: IN BRASS  
 FIX SET SWITCHING: 60°C  
 MAX. WORKING PRESSURE: 200[BAR]  
 HYDRAULIC CONNECTION: 1/2" BSP-M  
 WORKING TEMPERATURE: FROM -20°C TO 120°C  
 SWITCHING ACCURACY: ±3.5°C  
 FIXED HYSTERESIS VALUE: ~12° OF SETTED VALUE  
 WEIGHT: ~0.2[KG]

## ELECTRIC FEATURES

ELECTRIC PROTECTION: DIN 40050 : IP 67  
 MAX. ELECTRIC LOAD ON CONTACTS: 220[V]AC - 10[A]  
 125[V]AC - 15[A]  
 24[V]DC - 8[A]  
 12[V]DC - 10[A]  
 CONTACTS TYPE: SIMPLE CONTACTS NO

FOX CODE: **TM46A1/WPC**

Marking: **TM46A1**

Drawn M.G.	Checked C.A.	Approved	Date	Date 27/09/2017	
 FOX S.R.L. VIA ROMAGNA, 6 OPERA - MI - ITALY			THERMOSTAT TM46A1/WPC		
			TM46A1-WPC-0510460	Edition	Sheet 1 / 1